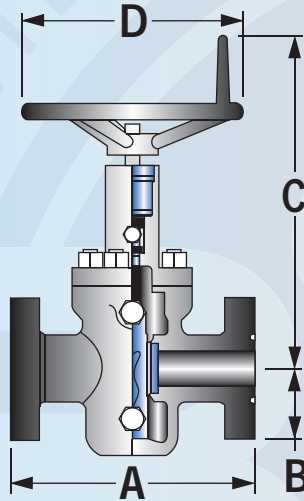


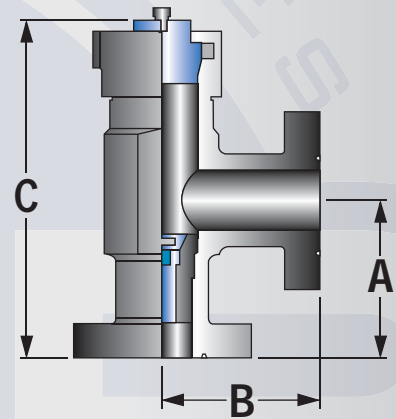
# Valves

## M Gate Valves



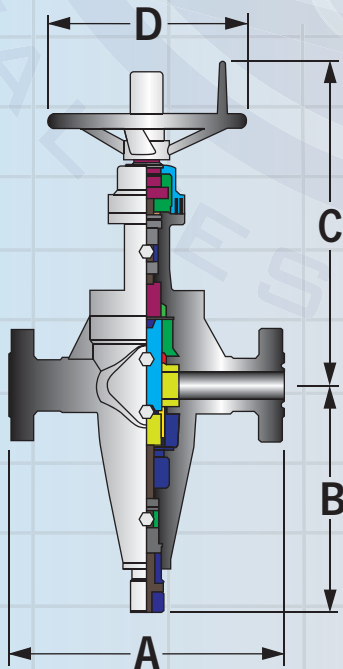
Flange Size	Working Pressure	A	B	C	D	Approx. Weight
3-1/8"	3,000	17.12"	7.31"	22.75"	16"	300 lbs
4-1/16"	3,000	20.12"	9.12"	25.88"	16"	558 lbs
2-1/16"	5,000	14.62"	5.25"	19.62"	13"	176 lbs
2-9/16"	5,000	16.62"	6.12"	20.62"	13"	224 lbs
3-1/8"	5,000	18.62"	7.62"	22.75"	16"	334 lbs
4-1/16"	5,000	21.62"	9.44"	25.88"	16"	614 lbs

## Chokes



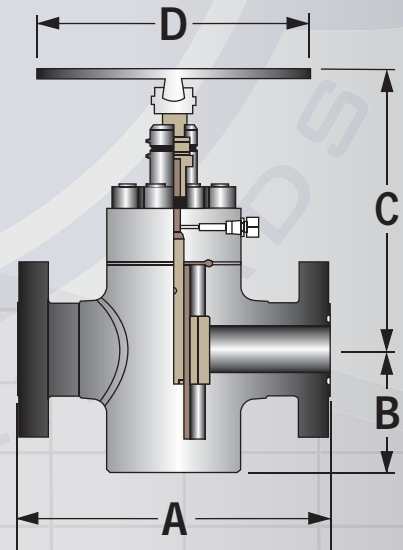
Inlet Size	Working Pressure	Outlet Size	Working Pressure	A	B	C
2-1/16"	5,000	2-1/16"	5,000	9.38"	7.50"	13.88"
1-13/16"	10,000	1-13/16"	10,000	9.19"	7.50"	14.12"

## M-1 Gate Valves



Flange Size	Working Pressure	A	B	C	D	Approx. Weight
1-13/16"	10,000	18.25"	14.50"	21.00"	14"	252 lbs
2-1/16"	10,000	20.50"	15.62"	23.50"	19"	344 lbs
2-9/16"	10,000	22.25"	18.00"	25.88"	19"	502 lbs

## FC Gate Valves



Flange Size	Working Pressure	A	B	C	D	Approx. Weight
2-1/16"	5,000	14.62"	5.62"	21.00"	14"	180 lbs
2-9/16"	5,000	16.62"	6.50"	21.81"	14"	255 lbs
3-1/8"	5,000	18.62"	7.38"	22.69"	18"	360 lbs
4-1/16"	5,000	21.62"	9.12"	24.31"	18"	545 lbs
7-1/16"	5,000	29.00"	12.75"	28.62"	24"	1090 lbs
1-13/16"	10,000	18.25"	5.75"	21.00"	14"	270 lbs
2-1/16"	10,000	20.50"	5.88"	21.00"	14"	275 lbs
2-9/16"	10,000	22.25"	6.81"	21.69"	18"	485 lbs
3-1/16"	10,000	24.38"	8.06"	22.75"	18"	680 lbs
4-1/16"	10,000	26.38"	10.06"	25.75"	24"	1060 lbs
7-1/16"	10,000	35.00"	16.50"	33.25"	30"	3800 lbs