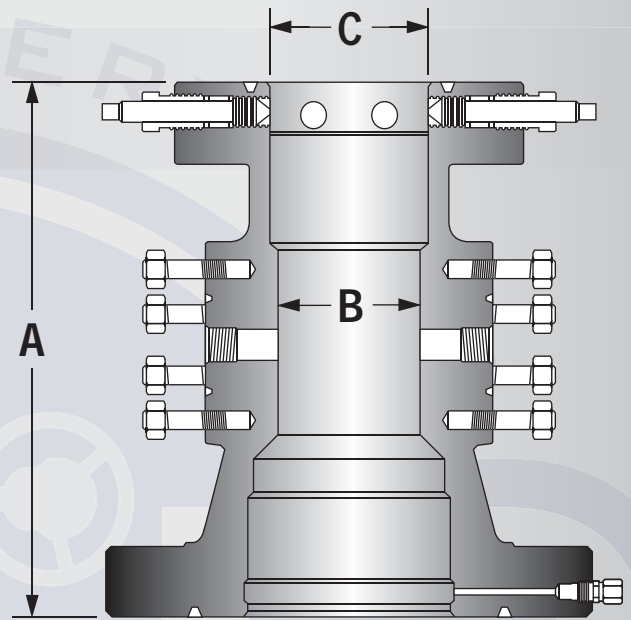


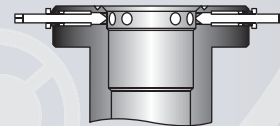
# BB-TCM, TC & TC-60 Tubing Heads

## Product Information

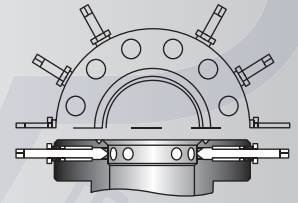
- Straight Bore
- High Capacity
- Three Different Designs
- Single or Dual Completion Models
- Available in different Sizes and Working Pressures
- 45° Landing Shoulder
- 2 Different Types of Outlets
- Multiple Bottom Connections



Bottom Flange	Top Flange	A	B	C	Weight			
11"	2,000	7-1/16"	3,000	23.12"	6.76"	7.00"	550 lbs	
	3,000	7-1/16"	3,000	23.12"	6.76"	7.00"	600 lbs	
			5,000	26.25"	6.76"	7.00"	670 lbs	
		9"	3,000	26.25"	8.25"	8.75"	750 lbs	
	5,000	7-1/16"	5,000	26.25"	6.76"	7.00"	880 lbs	
			10,000	31.25"	6.76"	7.00"	856 lbs	
		9"	10,000	31.25"	8.25"	8.75"	1249 lbs	
		10,000	7-1/16"	10,000	32.62"	6.76"	7.00"	1318 lbs
				15,000	33.25"	6.76"	7.00"	
		9"	10,000	32.62"	8.25"	8.75"	1700 lbs	
13-5/8"	2,000	7-1/16"	3,000	23.12"	6.76"	7.00"	445 lbs	
		9"	3,000	23.12"	8.25"	8.75"	655 lbs	
	3,000	7-1/16"	3,000	26.25"	6.76"	7.00"	670 lbs	
			5,000	26.25"	6.76"	7.00"	805 lbs	
		9"	3,000	26.25"	8.25"	8.75"	705 lbs	
	5,000	11"	3,000	26.75"	8.25"	8.75"	715 lbs	
			5,000	30.25"	10.00"	10.88"	1754 lbs	
		10,000	11"	10,000	26.75"	10.00"	10.88"	1780 lbs



BB-TCM Bowl



Top Flange



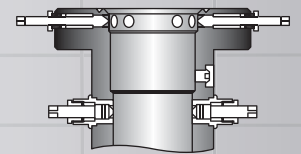
PE-HP Threaded  
Btm For Threaded  
Plate



OO Bottom



Double P Bottom



TC-60 Bowl