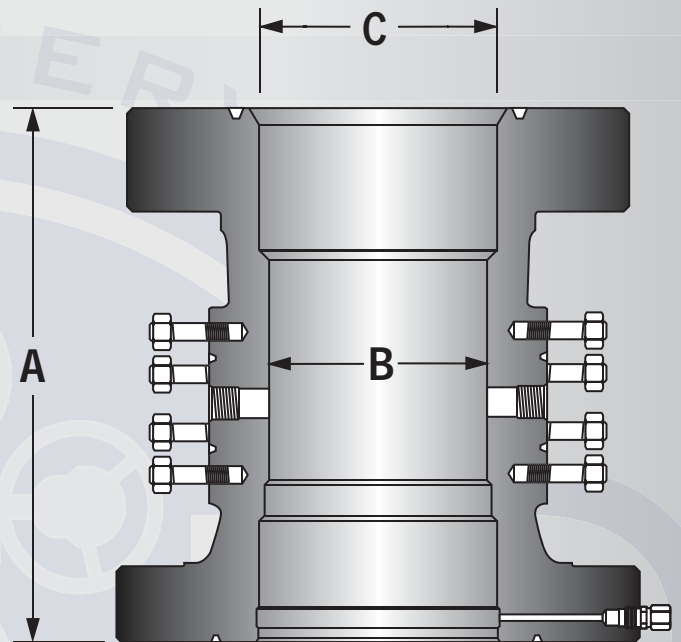


BB-29 CASING SPOOLS

Product Information

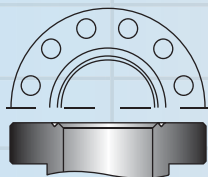
- Versatile Straight-Bore Design
- Accepts a Wide Variety of Casing Hangers
- BB-29-BP has 2 Additional Lockscrews for Bowl Protection
- BB-29-L Allows use of Lockscrews to Retain Hangers
- All Lockscrews Provided
- 45° Landing Shoulder
- 3 Different Types of Outlets
- Wide Range of Compatibility
- Multiple Bottom Connections
- Landing Bases Available



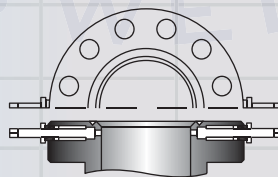
Bottom Flange	Top Flange	A*	B**	C	Weight		
11"	2,000	11"	2,000	23.12"	10.00"	10.88"	
		3,000	23.12"	10.00"	10.88"		
	3,000	11"	3,000	23.12"	10.00"	10.88"	
		5,000	26.25"	10.00"	10.88"		
	5,000	11"	5,000	26.25"	10.00"	10.88"	
			10,000	31.25"	10.00"	10.88"	
13-5/8"	2,000	11"	2,000	23.12"	10.00"	10.88"	
		3,000	23.12"	10.00"	10.88"		
	13-5/8"	2,000	23.12"	12.50"	13.50"		
		3,000	23.12"	12.50"	13.50"		
	3,000	11"	3,000	26.25"	10.00"	10.88"	785 lbs
			5,000	26.25"	10.00"	10.88"	1175 lbs
		13-5/8"	3,000	26.75"	12.50"	13.50"	
			5,000	26.75"	12.50"	13.50"	
	5,000	11"	5,000	29.38"	10.00"	10.88"	1595 lbs
			10,000	30.25"	10.00"	10.88"	1698 lbs
		13-5/8"	5,000	30.25"	12.50"	13.50"	
			10,000	30.25"	12.50"	13.50"	
10,000	11"	10,000	30.88"	10.00"	10.88"	2950 lbs	
	13-5/8"	10,000	32.62"	10.00"	13.50"	3900 lbs	
16-3/4"	2,000	11"	2,000	23.12"	10.00"	10.88"	
			3,000	23.12"	10.00"	10.88"	
		13-5/8"	2,000	23.12"	12.50"	13.50"	
		3,000	23.12"	12.50"	13.50"		

Bottom Flange	Top Flange	A*	B**	C	Weight			
16-3/4"	3,000	11"	3,000	23.12"	10.00"	10.88"	1200 lbs	
		5,000	24.12"	10.00"	10.88"			
	13-5/8"	3,000	24.12"	12.50"	13.50"	1725 lbs		
		5,000	25.00"	12.50"	13.50"	1950 lbs		
	5,000	11"	5,000	30.50"	10.00"	10.88"		
			10,000	29.75"	10.00"	10.88"	3235 lbs	
10,000	13-5/8"	5,000	29.75"	12.50"	13.50"			
		10,000	30.50"	12.50"	13.50"	3243 lbs		
21-1/4"	2,000	13-5/8"	13-5/8"	10,000	32.62"	12.50"	13.50"	
			16-3/4"	10,000	33.00"	15.37"	16.62"	
	13-5/8"	2,000	25.25"	12.50"	13.50"			
		3,000	25.25"	12.50"	13.50"	1830 lbs		
	16-3/4"	2,000	25.25"	15.37"	16.62"			
		3,000	25.25"	15.37"	16.62"			
20-3/4"	3,000	13-5/8"	3,000	25.25"	12.50"	13.50"	1960 lbs	
			5,000	27.00"	12.50"	13.50"	2060 lbs	
	21-1/4"	20-3/4"	3,000	27.00"	19.12"	20.12"		
		21-1/4"	5,000	29.25"	19.12"	20.12"		
21-1/4"	5,000	13-5/8"	5,000	27.00"	12.50"	13.12"		
			10,000	29.25"	12.50"	13.50"		
		16-3/4"	5,000	30.75"	15.37"	16.62"		
10,000	32.25"		15.37"	16.62"				

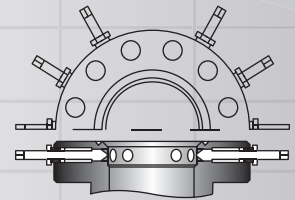
** Minimum bore dimension based upon use of secondary seal bushing.
 ** Minimum bore with "00" or "PP" bottom will be based on casing minimum bore.



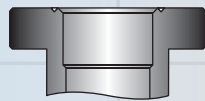
BB-29



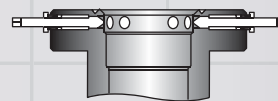
BB-29-BP



BB-29-L



BB-29 Bowl



BB-29-L Bowl



PE/BG Bottom



00 Bottom



Double P Bottom