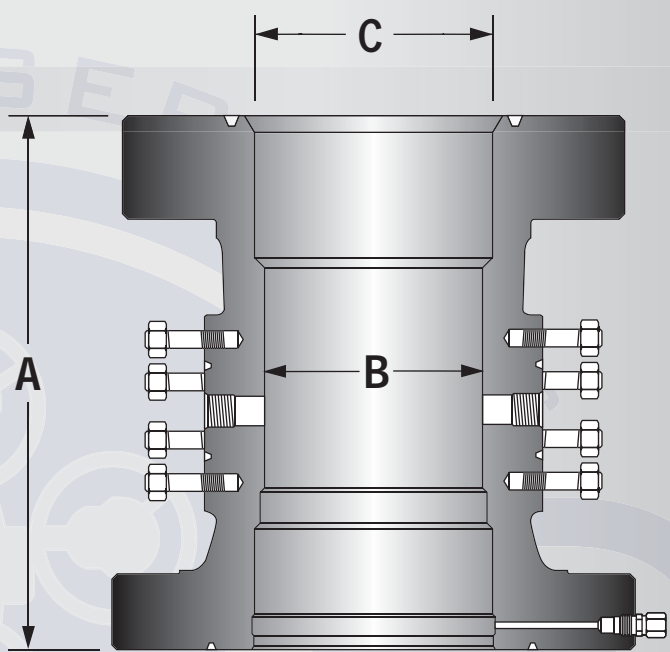


BB-22 CASING SPOOLS

Product Information

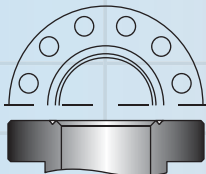
- Versatile Straight-Bore Design
- Accepts a Wide Variety of Casing Hangers
- BB-22-BP has 2 Additional Lockscrews for Bowl Protection
- BB-22-L Allows use of Lockscrews to Retain Hangers
- All Lockscrews Provided
- 45° Landing Shoulder
- 3 Different Types of Outlets
- Wide Range of Compatibility
- Multiple Bottom Connections
- Landing Bases Available



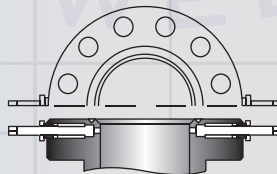
Bottom Flange	Top Flange	A*	B**	C	Weight			
11"	2,000	11"	2,000	23.12"	10.00"	10.88"	570 lbs	
			3,000	23.12"	10.00"	10.88"	600 lbs	
	3,000	11"	3,000	23.12"	10.00"	10.88"	710 lbs	
			5,000	26.25"	10.00"	10.88"		
	5,000	11"	5,000	26.25"	10.00"	10.88"		
			10,000	31.25"	10.00"	10.88"		
13-5/8"	2,000	11"	2,000	23.12"	10.00"	10.88"		
			3,000	23.12"	10.00"	10.88"	740 lbs	
	13-5/8"	2,000	2,000	23.12"	12.50"	13.50"		
			3,000	23.12"	12.50"	13.50"		
	3,000	11"	3,000	26.25"	10.00"	10.88"	770 lbs	
			5,000	26.25"	10.00"	10.88"	1168 lbs	
	13-5/8"	3,000	3,000	26.75"	12.50"	13.50"	770 lbs	
			5,000	26.75"	12.50"	13.50"	1168 lbs	
	5,000	11"	5,000	29.38"	10.00"	10.88"	1430 lbs	
			10,000	30.25"	10.00"	10.88"	1948 lbs	
	13-5/8"	5,000	5,000	30.25"	12.50"	13.50"		
			10,000	30.25"	12.50"	13.50"		
	16-3/4"	11"	10,000	10,000	30.88"	10.00"	10.88"	
				10,000	32.62"	12.50"	13.50"	
		2,000	11"	2,000	23.12"	10.00"	10.88"	
				3,000	23.12"	10.00"	10.88"	
		2,000	13-5/8"	2,000	23.12"	12.50"	13.50"	
				3,000	23.12"	12.50"	13.50"	

Bottom Flange	Top Flange	A*	B**	C	Weight		
16-3/4"	11"	3,000	3,000	23.12"	10.00"	10.88"	
			5,000	24.12"	10.00"	10.88"	1518 lbs
	13-5/8"	3,000	3,000	24.12"	12.50"	13.50"	1408 lbs
			5,000	25.00"	12.50"	13.50"	
	5,000	11"	5,000	30.50"	10.00"	10.88"	
			10,000	29.75"	10.00"	10.88"	
13-5/8"	5,000	5,000	29.75"	12.50"	13.50"		
		10,000	30.50"	12.50"	13.50"		
21-1/4"	13-5/8"	10,000	10,000	32.62"	12.50"	13.50"	
			16-3/4"	10,000	33.00"	15.37"	16.62"
	2,000	13-5/8"	2,000	25.25"	12.50"	13.50"	
			3,000	25.25"	12.50"	13.50"	2063 lbs
	16-3/4"	2,000	2,000	25.25"	15.37"	16.62"	
			3,000	25.25"	15.37"	16.62"	
20-3/4"	3,000	3,000	25.25"	12.50"	13.50"		
		5,000	27.00"	12.50"	13.50"	2450 lbs	
21-1/4"	5,000	5,000	27.00"	12.50"	13.50"		
		10,000	29.25"	12.50"	13.50"		
16-3/4"	5,000	5,000	30.75"	15.37"	16.62"		
		10,000	32.25"	15.37"	16.62"		

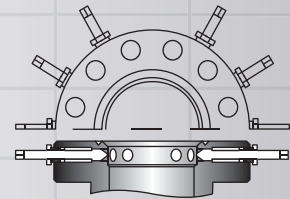
** Minimum bore dimension based upon use of secondary seal bushing.
 ** Minimum bore with "00" or "PP" bottom will be based on casing minimum bore.



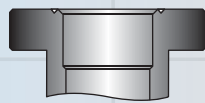
BB-22



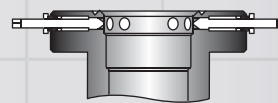
BB-22-BP



BB-22-L



BB-22 Bowl



BB-22-L Bowl



PE/BG Bottom



00 Bottom



Double P Bottom